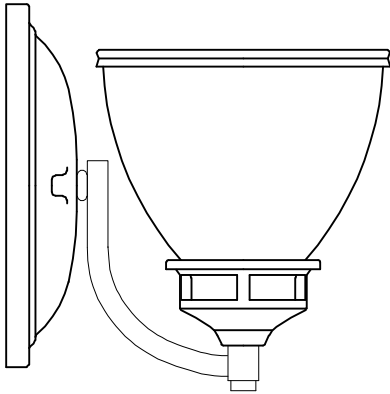




PRODUCT NAME: Novus 1 Light Wall Sconce
ITEM NUMBER: 21591

Please consult your electrician for hanging fixture and wiring.



1*E26*60W (NO INCLUDED BULB)

Locate all hardware & components before discarding packaging

Cleaning & Care:

Clean with soft cloth and a mild detergent.

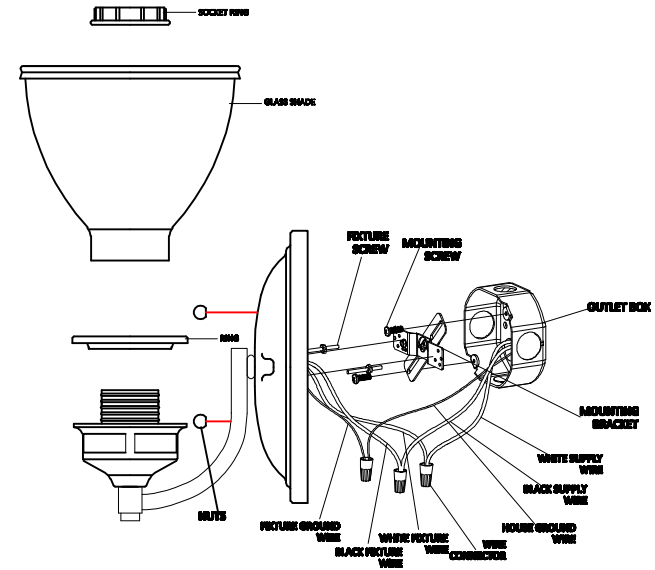
DO not use abrasive cleaner.



PRODUCT NAME: Novus 1 Light Wall Sconce
ITEM NUMBER: 21591

CAUTION: Turn off the main power at the circuit breaker before installing and servicing the fixture to prevent possible injury from electric shock.

All electrical connections must be in accordance with local and National Electrical Code (N.E.C.) standards. If you are unfamiliar with proper electrical wiring connections, obtain the services of a qualified electrician.



1. Remove **MOUNTING BRACKET** from fixture and install to **ELECTRICAL BOX** using **FIXTURE SCREWS**. **HEX NUTS** can be adjusted for the fixture to sit flush with the wall.
2. Wire fixture to wires in outlet box. Bare wire is for Ground.
3. Attach back plate to **MOUNTING BRACKET** and tighten **BALL NUTS** so fixture meets wall. **FIXTURE SCREWS** should protrude from **BACK PLATE** 1/4".
4. Slide the **GLASS** over the socket and use **RING spacer** and **SOCKET RING** to secure.
5. Install bulbs to fixture according to fixture's max wattage rating label.