



Installation Instructions

Model 53560/53561/53562/53563

RGB LED Controller for DigiRibbon

53560/53561/53562/53563

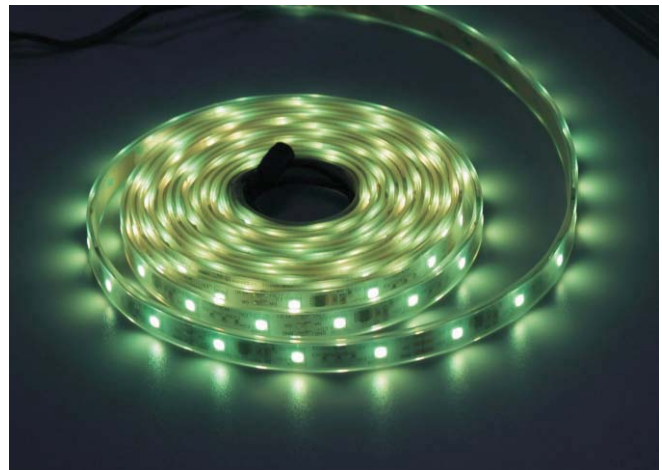


Features

- Integral IC chip that allows for individual operation of each diode
- Endless modes can be created including chasing
- Over 300' of run without additional signal amplification
- DMX interface with optional controller
- Can be controlled by iPhone/iPad/iPod
- ETL approved for damp locations
- Field cuttable every 4 inches

Parameters

- Input voltage: DC 12V
- Input signal: single line digital signal
- LED type: SMD 5050 RGB
- LED Qty: 150pcs/5m
- Maximum power consumption: 36W (5m)
- Control IC: TM1803
- Grey scale: 256

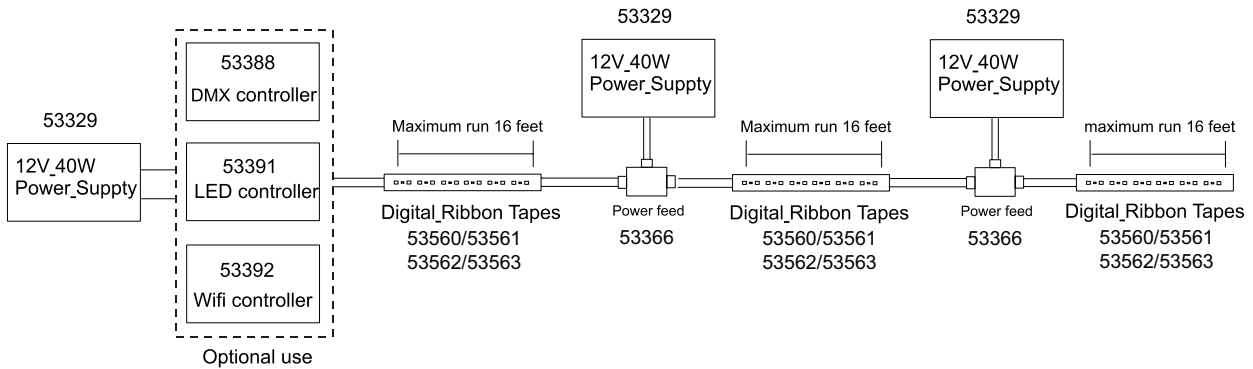


Applications

- Cove and toe kick accent lighting
- Discos and clubs
- Store front displays
- Recreation rooms
- Game and theater rooms



Dimensions (Unit:mm/inch)



Control Mode

TM1803 adopt the return-to-zero code single line controlling method as below. If you want more technical support, please contact us.



Operation Guide

- Connect the connector of the strip to the output of the controller, then electrify the controller.
- When connect more than one strips, connect the input of the additional strip to the last output, and electrify this additional strip with another DC12V power supply. Please note that you should electrify the controller before all strips is well connected.
- If you want to do bare-line connection, please watch the color of the wires, wires with same color should be bonded and insulated with tape.

Note

1. Watch the input and output, it can not be reverse-connected.
2. Ensure the power supply is DC12V.
3. Only professional electrician is advised to cut and connect the strip, Please red in instruction before operate.