

SAFETY INFORMATION

Released Date: 2024-09-26

Please read and understand this entire manual before attempting to assemble, install or operate the product.

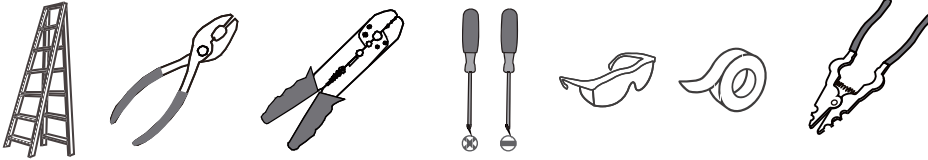
WARNING

- RISK OF ELECTRIC SHOCK - Before beginning installation, turn off electricity at the circuit breaker box or the main fuse box.
- RISK OF FIRE - Use bulbs specified by the markings and/or labels on the fixture.

CAUTION

- For your safety, read instructions completely before beginning installation.
- If in doubt about electrical installation, consult a licensed electrician.
- Turn off electricity to fixture before replacing the bulb(s).

TOOLS REQUIRED



CARE AND MAINTENANCE

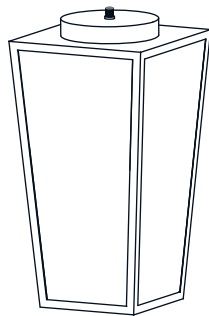
- Wipe clean using soft, dry cloth or static duster. Always avoid using harsh chemicals and abrasives to clean fixture as they may damage the finish.

If you need further assistance call Quoizel Customer Care at 1-800-645-3184(9:00am - 5:00pm EST), or visit us on-line at www.quoizel.com

PACKAGE CONTENTS



A Fixture Loop
X 1

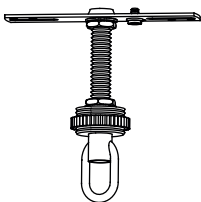


B Fixture Body
X 1

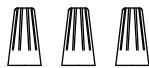


C Glass Shade
X 1

MOUNTING HARDWARE



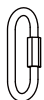
AA Crossbar Assembly
X 1



BB Wire Connector
X 3



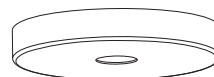
CC Outlet Box Screw
X 2



DD Quick Link
X 2



EE Fixture Chain
X 1



FF Ceiling Canopy
X 1

INSTALLATION

1 Install Fixture Loop

2 Install Crossbar Assembly

3 Install Fixture Chain

OPTIONAL: Adjust Chain as desired, using pliers and soft cloth (neither included).

* Ceiling Canopy shape is varies depends on item purchased.

Ceiling Canopy
Canopy Lock Ring

Suggested chain length for Ceiling height:
 8 feet ceiling: use 11 links of chain and 2 quick links
 9 feet ceiling: use 21 links of chain and 2 quick links
 10 feet ceiling: use 31 links of chain and 2 quick links.

4 Pull Supply Wires

Pull the supply wires with ground wire through the chain alternate links.

5 Wiring

White wire from supply

Black (or red) wire from supply

Ground wire from supply

Green ground wire

Ribbed side of wire from fixture identified with the label "N"

Smooth side of wire from fixture identified with the label "L"

Ground wire from fixture identified with the label "G"

6 Install Ceiling Canopy

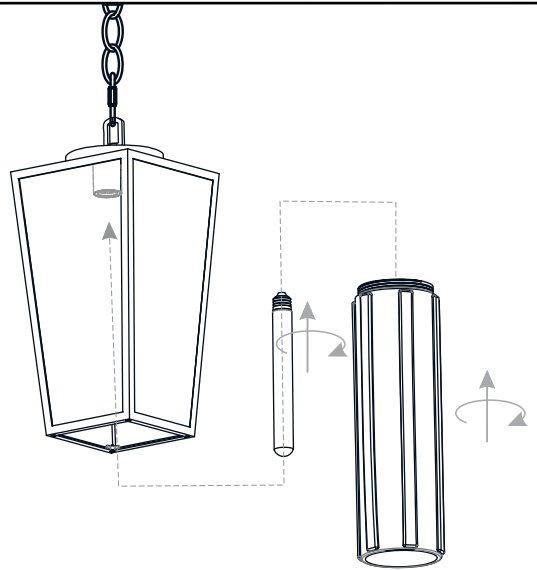
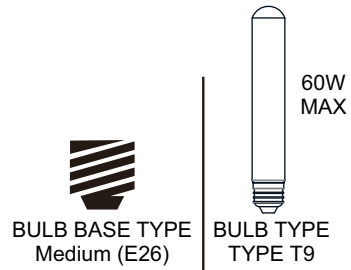
* Ceiling Canopy shape is varies depends on item purchased.

INSTALLATION

7 Install Bulb and Glass Shade

Install one correct bulb referring to fixture markings and/or labels for maximum wattage.

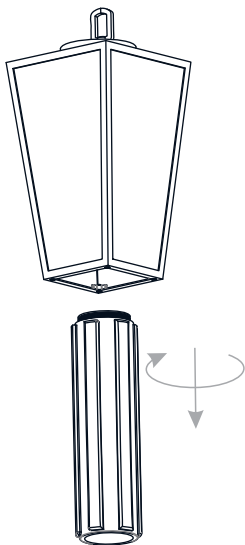
Recommended Bulb Type (not Included):



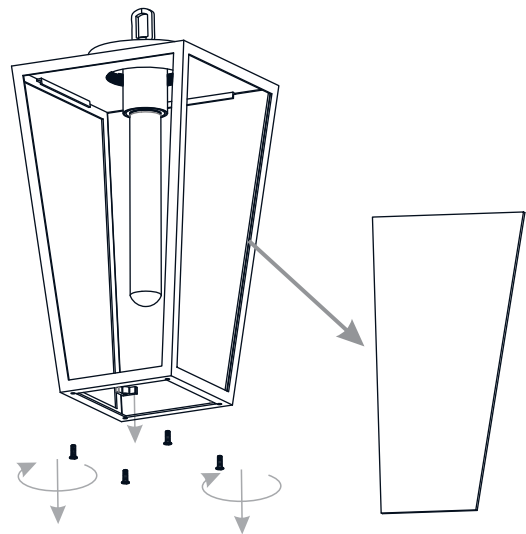
Your installation is now complete! Restore electricity and save this sheet for future reference.

HOW TO REPLACE GLASS PANEL

1 Remove Glass Shade



2 Remove Glass Panel



Reverse above steps to reinstall the replacement Glass panels onto fixture.