

MERA RECTANGULAR ILLUMINATED MIRRORS

MRIL1410; MRIL1411; MRIL1412; MRIL1413; MRIL1414

General Product Information

Please visit www.visualcomfort.com for product specs.

 Intertek	 SAVE THESE INSTRUCTIONS!	 TWO-PERSON INSTALLATION RECOMMENDED	 INDOOR
 DAMP LOCATION SAFE	 TOUCH DIMMER	 CLEAN WITH SOFT, DRY CLOTH ONLY, NO HARSH CHEMICALS!	 BEST PRACTICE: HANDLE FIXTURE WITH GLOVES

 Product Warranty	 FCC Statement
--	---

Suggested/Required Tools

 ELECTRIC DRILL	 STUD FINDER	 LEVEL	 PHILLIPS-HEAD SCREWDRIVER
 WIRE TAPE	 MEASURING TAPE	 PENCIL/MARKER	 WIRE CUTTER


Safety Information

Please Note: Bring appropriate power supply to the mirror in accordance with local electrical codes.

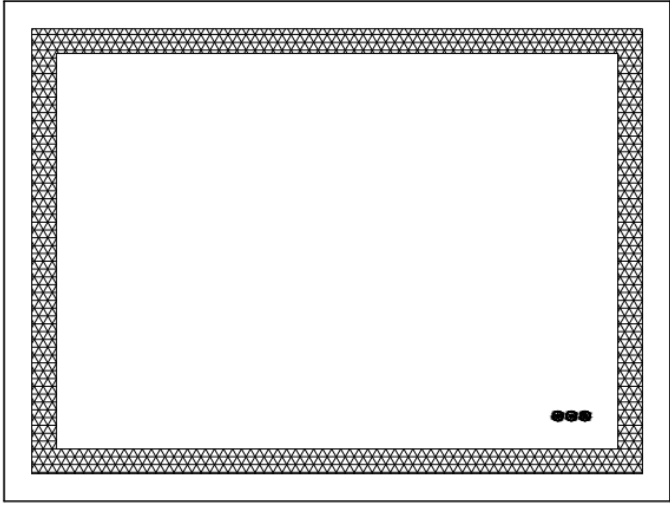
CAUTION-RISK OF FIRE

This product must be installed in accordance with the applicable installation code by a person familiar with the construction and operation of the product and the hazards involved.

USE MINIMUM 90°C SUPPLY CONDUCTORS.

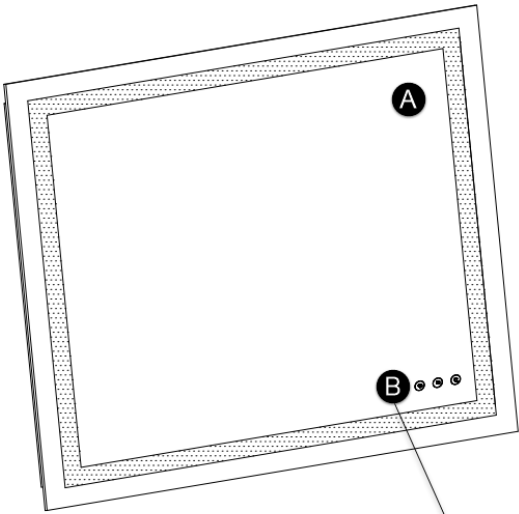
 Turn off electrical current at the source before working with any lighting fixture or portable lamp.


Install and use this product in adherence with local electrical codes and regulations.





FIXTURE PARTS

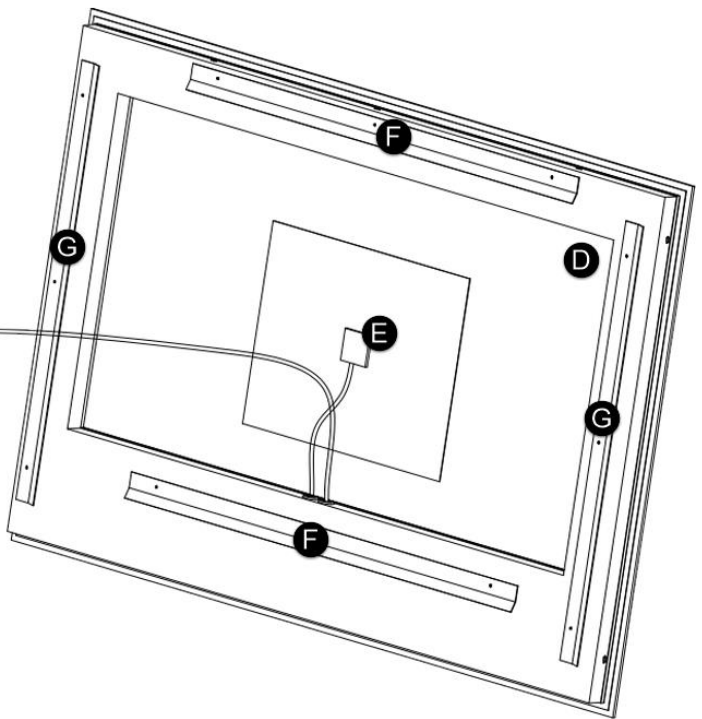
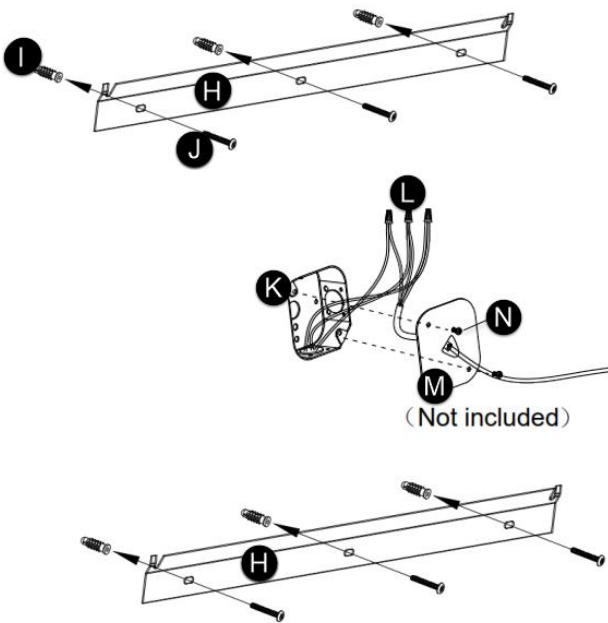
- A. Mirror (Front View)
- B. Touch Buttons
- C. Mirror (Side View)
- D. Mirror (Back View)
- E. Defogger
- F. Horizontal Side Brackets
- G. Vertical Side Brackets
- H. Top & Bottom Wall Mounting Brackets
- I. Anchors
- J. Mounting Bracket Screws
- K. Junction Box (Not Included)
- L. Wire Nut Connections
- M. Mounting Plate (Not Included)
- N. Mounting Screws (Not Included)



 Short touch: ON and OFF
 Press and hold: Dimmable

 Short touch to turn ON and OFF for the defogger function.
 Automatic turn off after 1 hour.

 Short touch to adjust the colour temperature:
 2700K, 3000K, 3500K, 4000K, 5000K.
 Press and hold: Stepless CCT.



INSTRUCTIONS

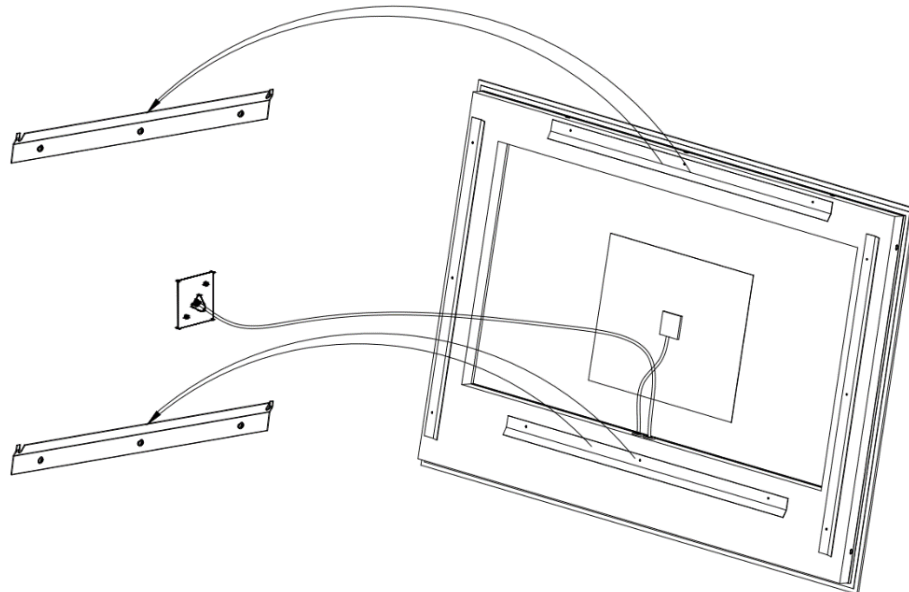
I. Preparing the Fixture

1. Remove the mirror from the packaging and identify all the parts before installation.
2. Select the desired location on the wall (use a stud finder to check for studs) to hang the mirror.
3. Use a measuring tape to determine the locations for the top and bottom wall mounting brackets.
4. Mark the locations for brackets and their anchor holes.
5. Lift the mirror to the marked points to ensure that the markings are level and align with the corresponding brackets on the mirror.
6. Drill the marked holes and insert the anchors into the holes.
7. Secure the wall mounting brackets to the wall with the provided screws.

II. Wiring the Fixture

1. Safety first! Locate the circuit breaker and switch it off to cut off the power supply to the relevant circuits to ensure there's no electricity running through the wiring.
2. In accordance with local electrical codes, connect the fixture ground wire (bare copper or silver wire) to suitable ground. This may be a green ground screw on the mounting plate, which the ground wire should be tightly wrapped around or a house wire (green or bare copper wire without insulation).
3. Twist the bare ends of the following pairs of wires together using a wire nut to secure a connection:
 - a) White wire and neutral power line wire
 - b) Black wire and hot power line wire
4. Carefully tuck all the wires behind the mounting plate into the junction box.

III. Installing the Fixture



1. Lift mirror and rest it slightly above the wall mounting brackets and slide it down until the brackets on the mirror catches the brackets on the wall and interlock. It is best to have a second person assist with this installation.
2. Use the touch buttons to turn the mirror on/off, to change the brightness settings, and to defog condensation.